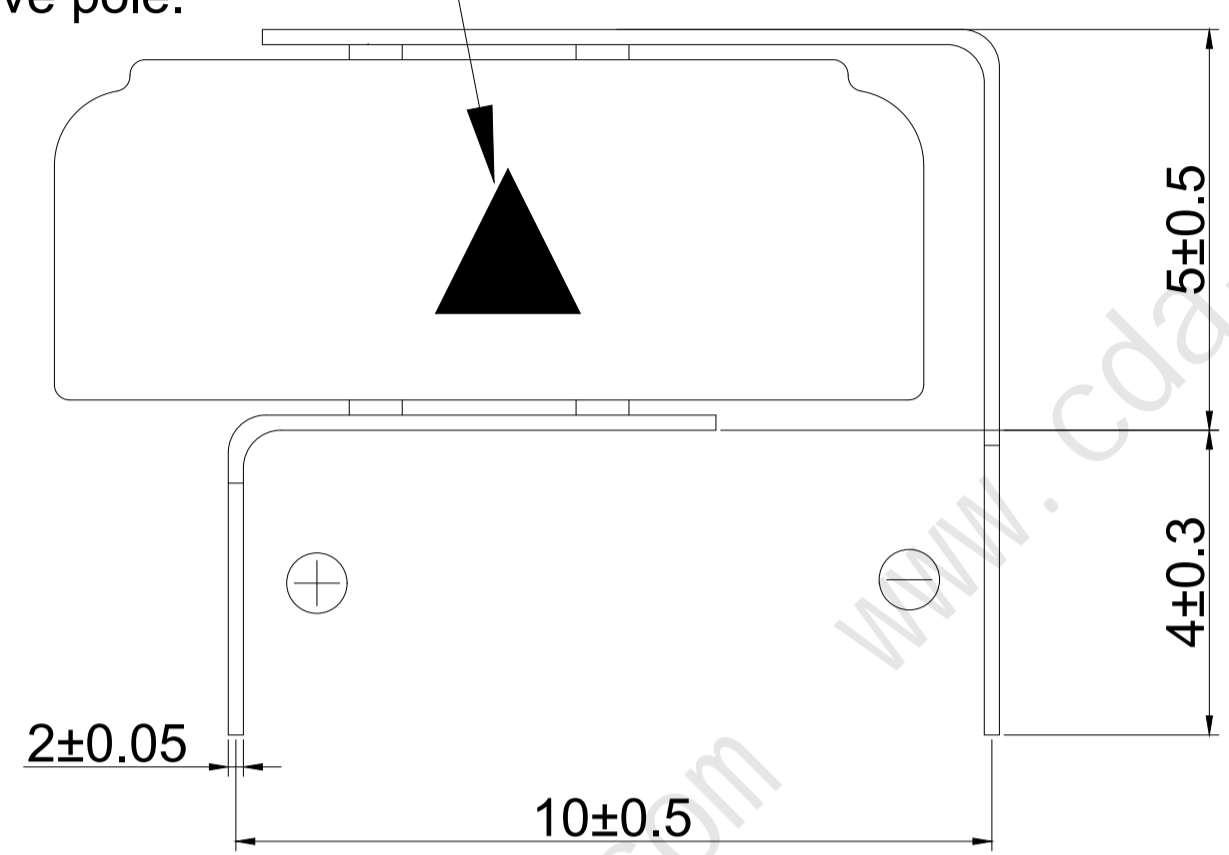
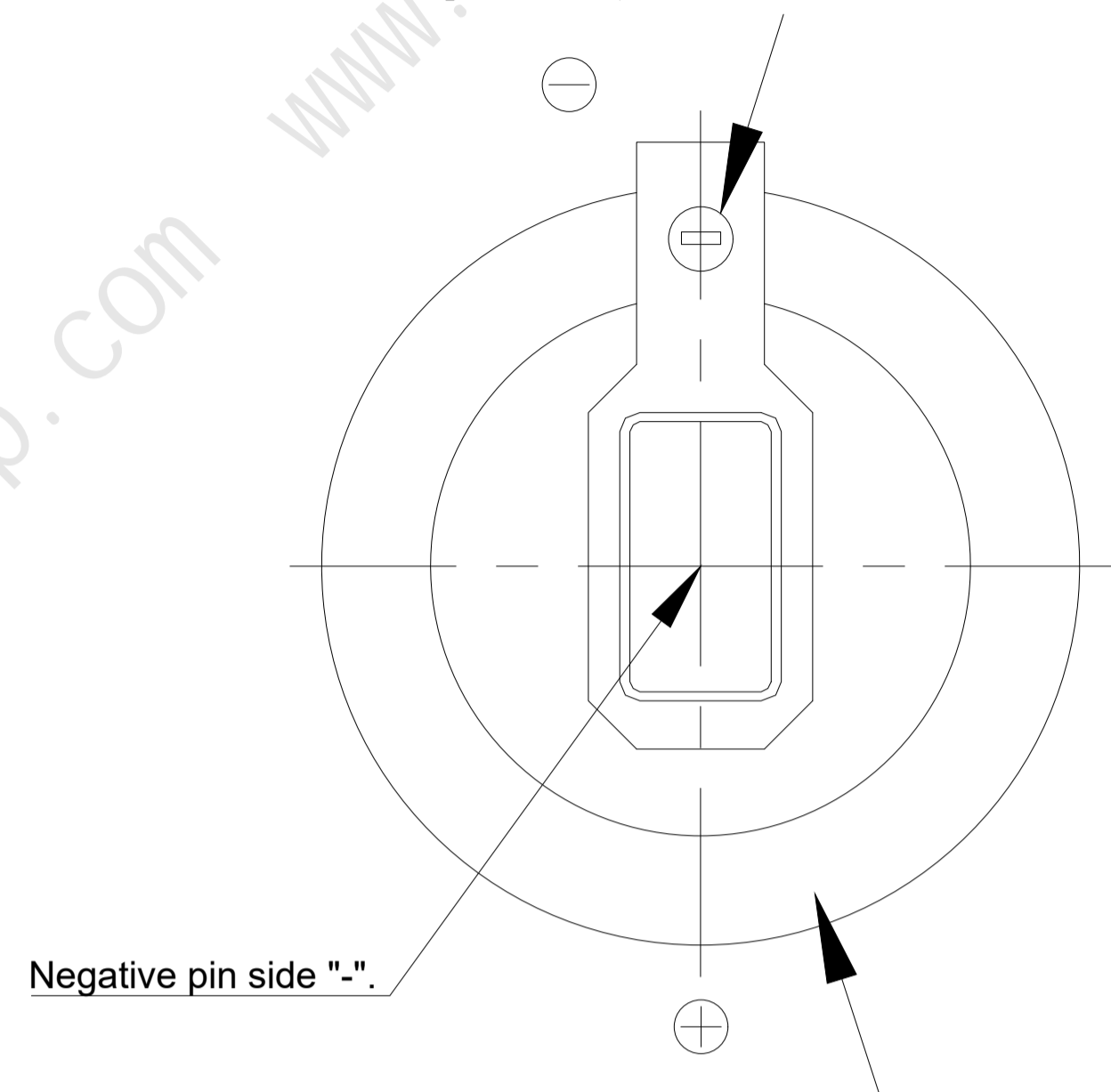


Negative pole mark: "Δ"
The triangle points in the direction of the negative pole.

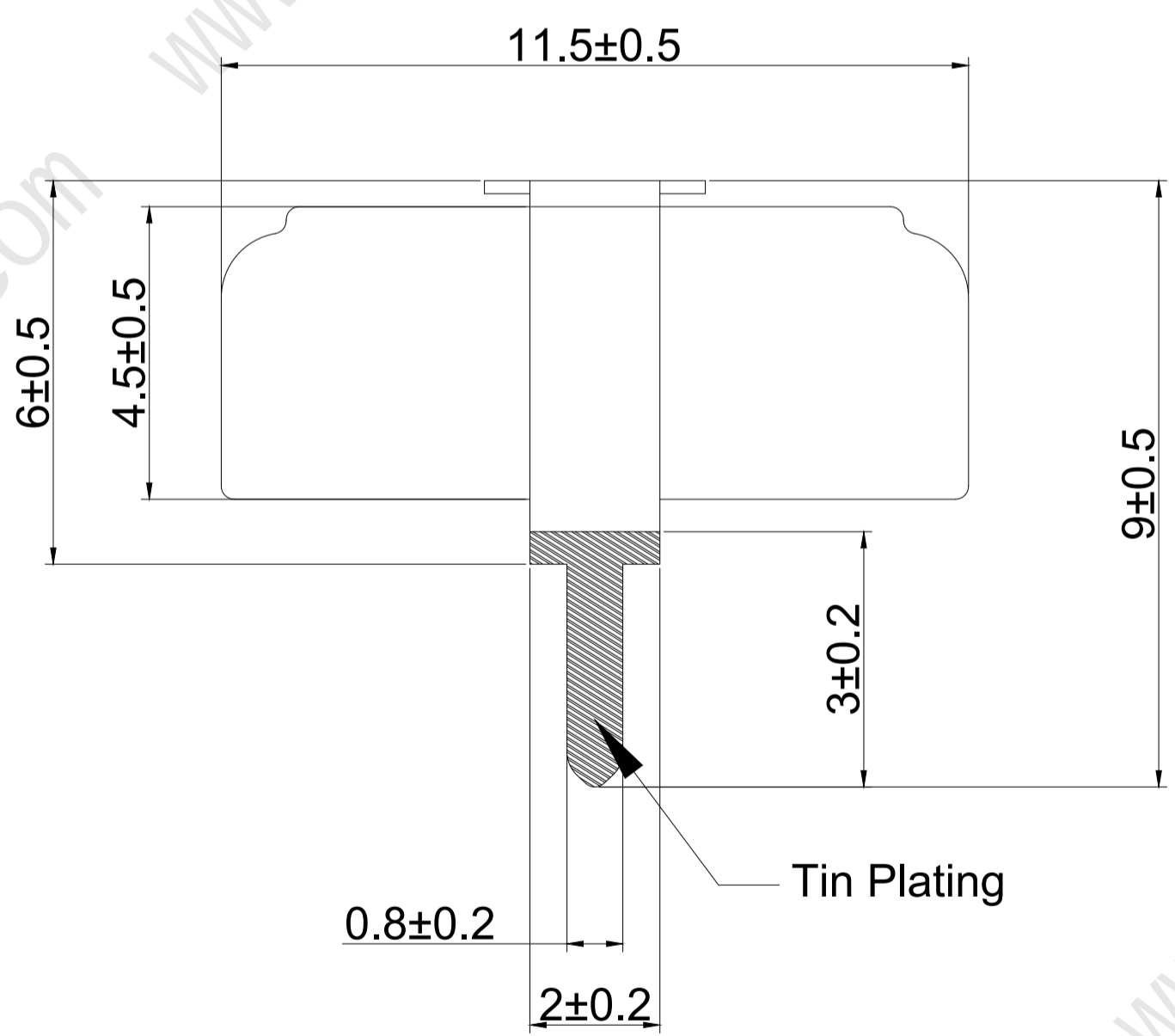
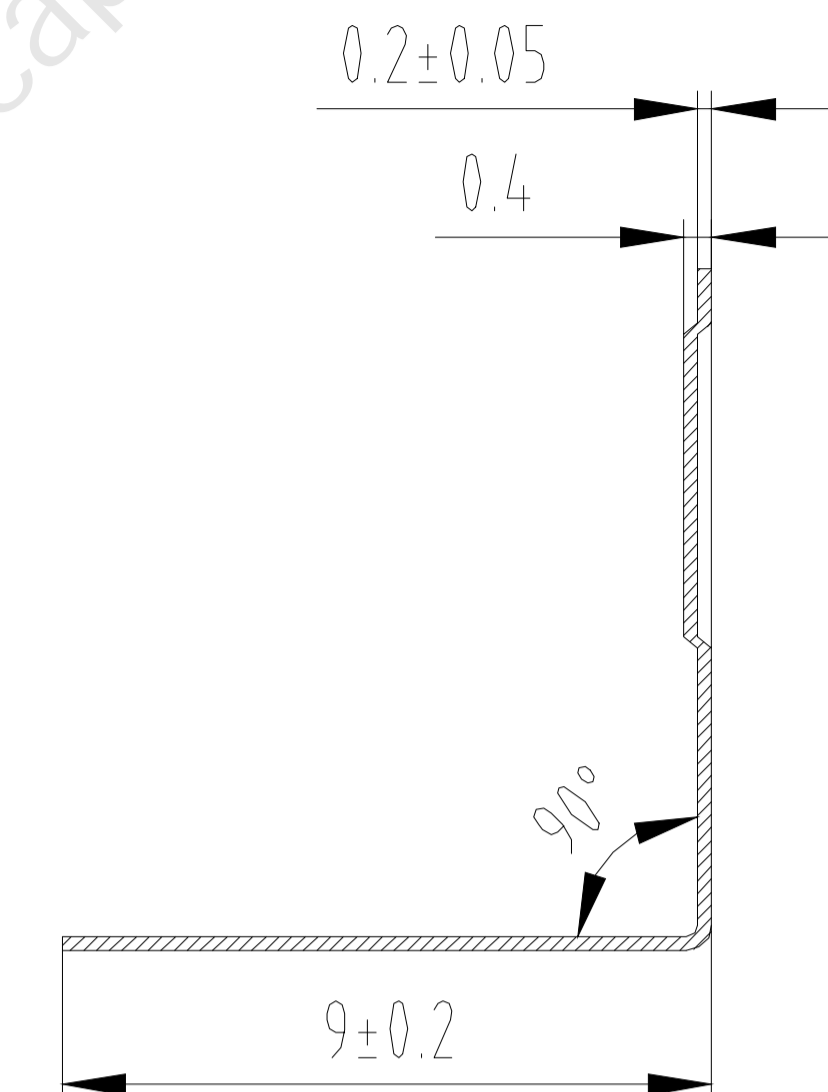
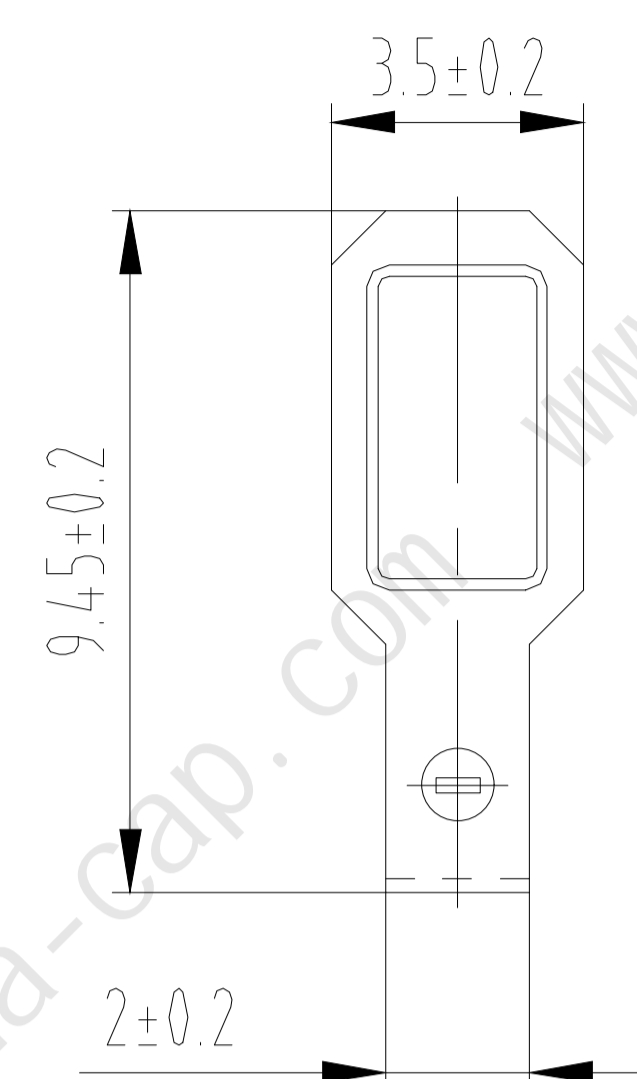


negative pin identification



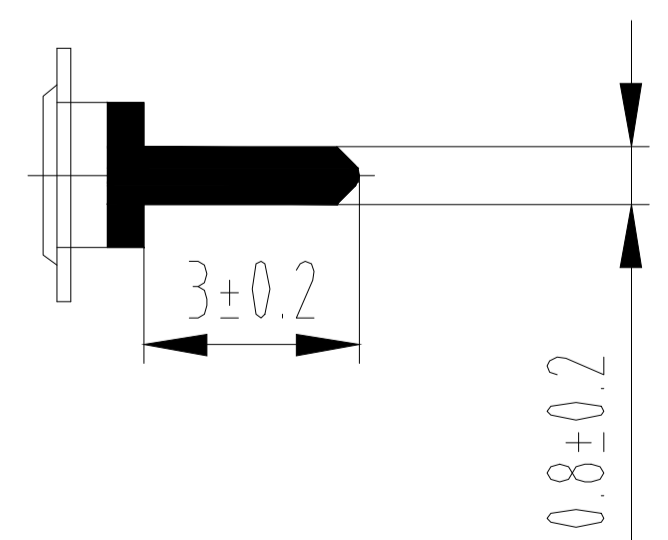
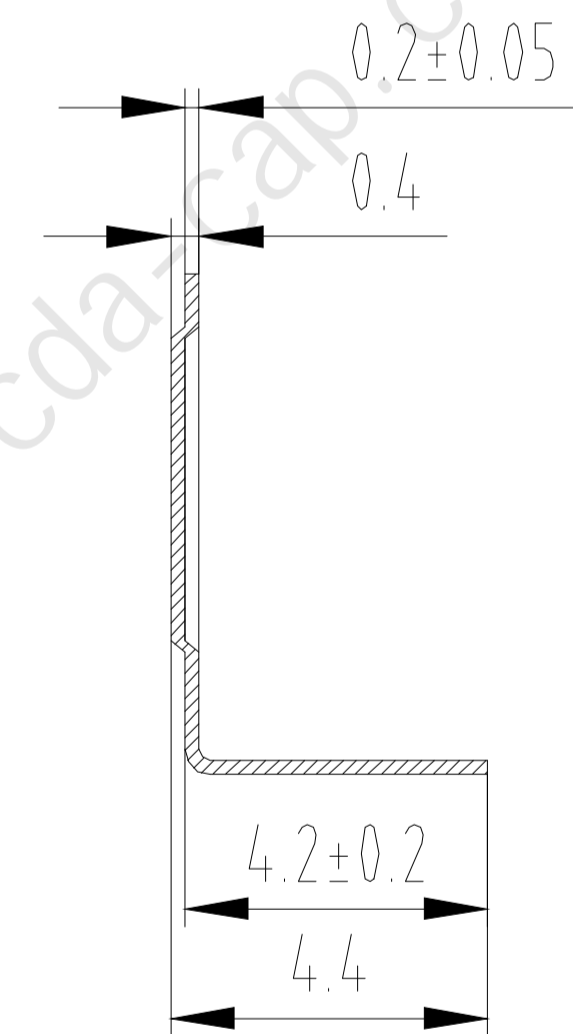
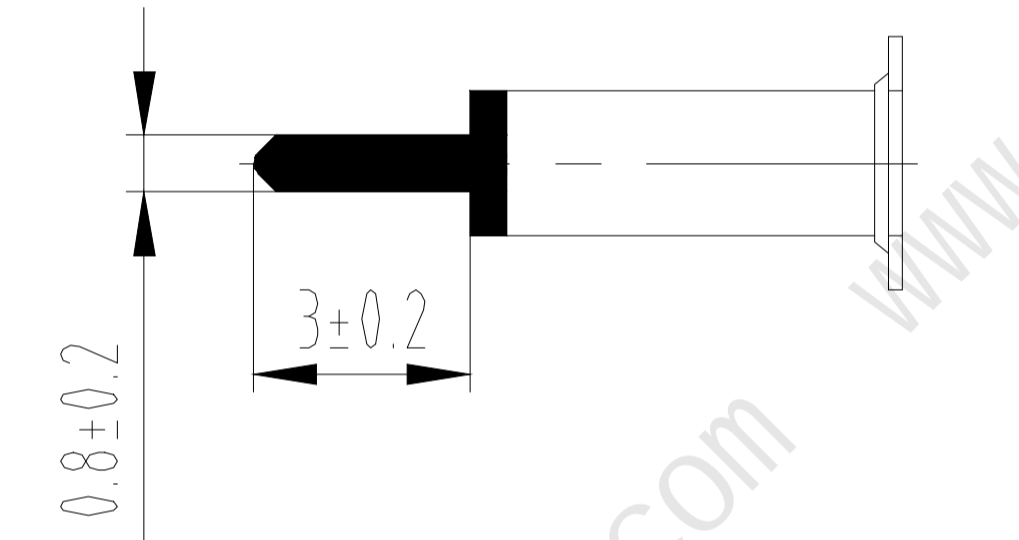
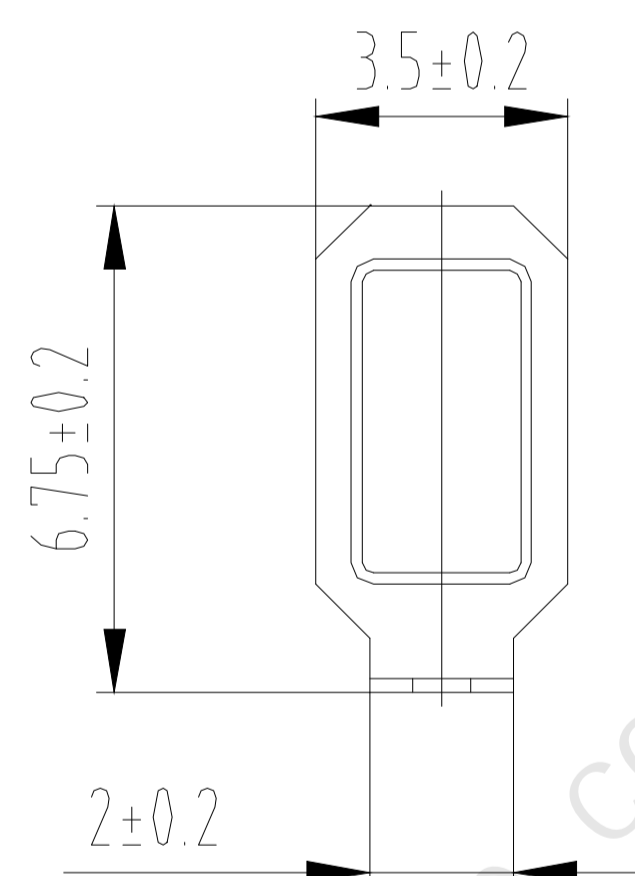
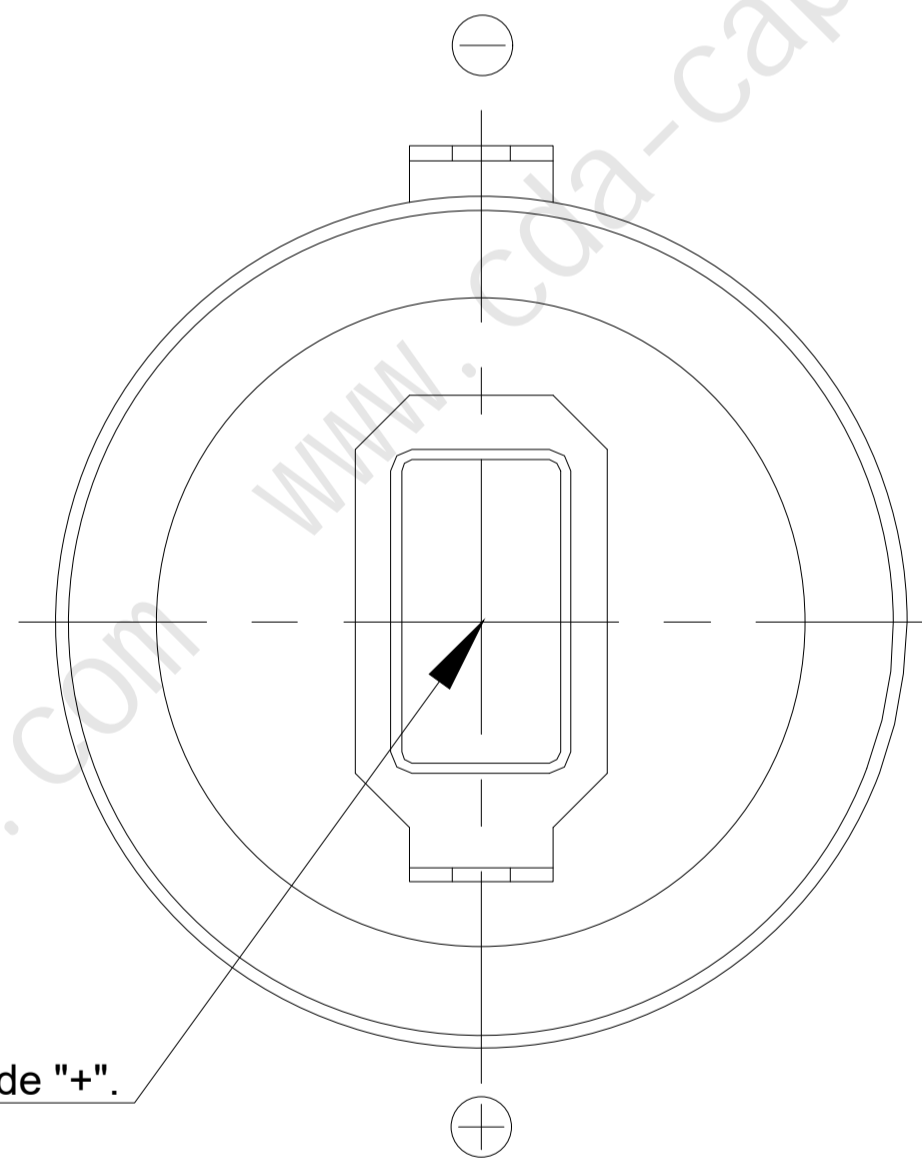
Negative pin side "-".

PET insulatin sleeve



Tin Plating

Positive pin side "+".



Itemref	H10-1	Coin series (115mm) H10-type size chart		Filename	Date	Scale	
Designed by	XXX	Drawing No.	CDA-230M02	Approved by - date	CDA - 23/10/23	Button size chart	
CDA-CAP		Taiwan Zhifengwei Technology Co., Ltd.				Edition	Sheet
CDA-230M02/H10-1		Edition		0		Sheet	1/1